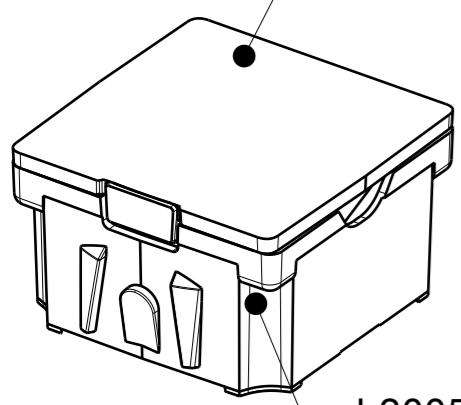
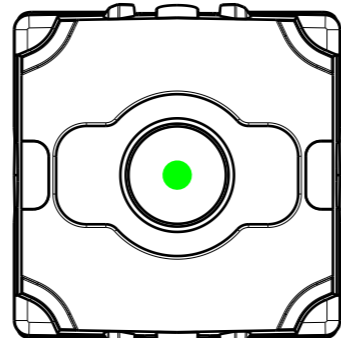


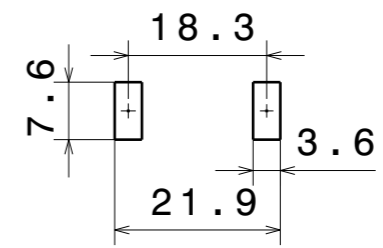
C12725_LAURA-0-WAS



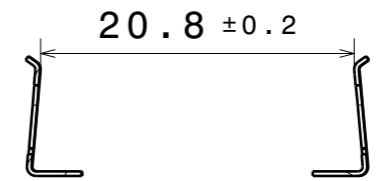
L20051_LAURA-SC2-HLD-WHT



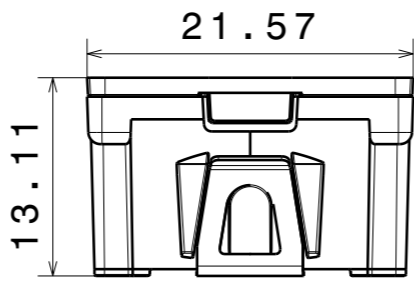
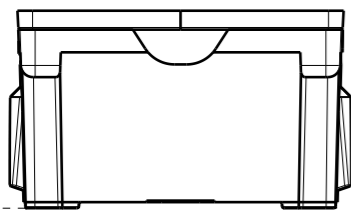
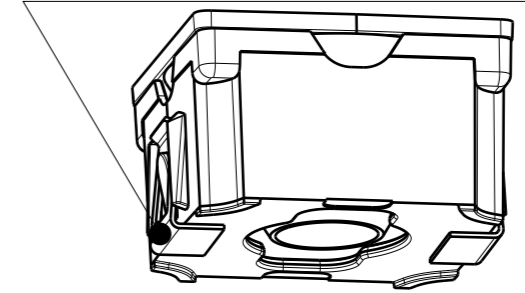
Recommended PAD design



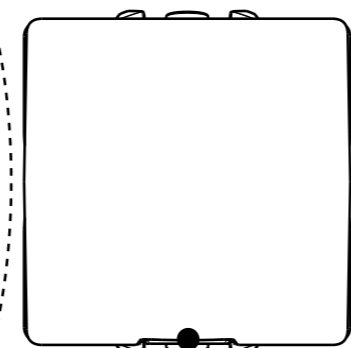
Clip reference distance after soldering



C18696_SOLDER-CLIP-2
Bottom of solder clip underneath holder
Opening of solder clip facing holder



O-WAS beam direction



Lens Clip + Solder Clip

LP20071_LAURA-SC2-0-WAS-WHT

COMPONENTS

INDEX	PART	TYPE	COUNT	MATERIAL	COLOR / COATING
1	C12725_LAURA-0-WAS	LENS	1	PMMA	CLEAR
2	L20051_LAURA-SC2-HLD-WHT	HOLDER	1	PC	WHITE

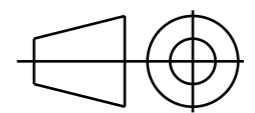
MECHANICAL DRAWING

PRODUCT LAURA-SC2-0-WAS

LEDiL

Plastic moulding general tolerances according to DIN 16901-130 and applies if not otherwise shown in the drawing. Silicone moulding general tolerances according to ISO 3302-1 Class M3 and applies if not otherwise shown in the drawing.

FIRST ANGLE PROJECTION:



This drawing is the property of LEDiL Oy. It may not be copied or otherwise distributed without prior written permission from LEDiL Oy.

SCALE 2:1

WEIGHT -

A3 SHEET 1/1

Notes

	PCB or heatsink level.
	LED location
	Ensure LED fitting from a product specific 3D model available from www.ledil.com
	For more details about installation please see LEDiL Installation Guide on www.ledil.com